

62-7 Compression Latch

Small · Lift & turn series · Flush style · Adjustable grip

Features

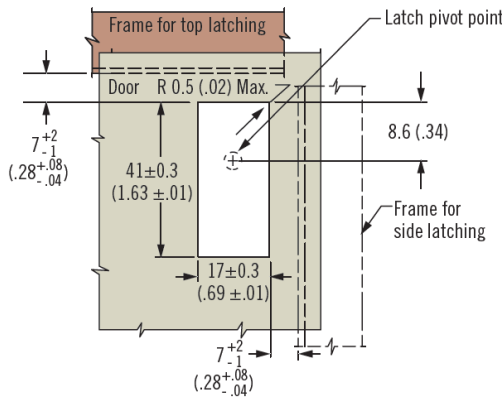
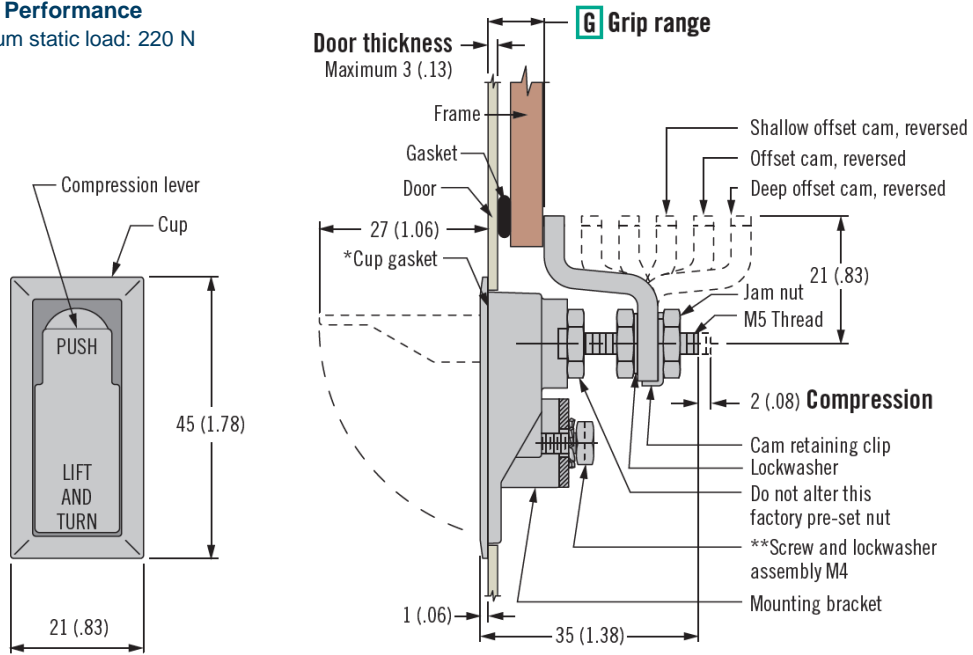
- Low profile
- Easy grip adjustment
- Intuitive operation

Product Performance

- Maximum static load: 220 N

Material

- Zinc alloy, powder coated or chrome plated and steel, zinc plated



Installation Notes

1. Sealing the mounting screw threads required
2. Screw and lockwasher assembly M4 x 10. For door thickness greater than 3 calculate screw length using the following formula: Door thickness + 7
3. Add 0.4 to door thickness when using cup gasket

62 - 7 **S** - **G** **F**

S Sealing option
0 No Gasket
4 Gasket Included

F Finish
1 Polished chrome
2 Brushed chrome
5 Black powder coated

Grip	Minimum	Maximum	Cam Type
1	4.5 (.17)	10.5 (.41)	Deep offset cam, forward
	34.5 (1.35)	40.5 (1.59)	Deep offset cam, reversed
2	10.5 (.41)	16.5 (.65)	Offset cam forward
	28.5 (1.12)	34.5 (1.35)	Offset cam reverse
3	16.5 (.65)	22.5 (.88)	Shallow offset cam, forward
	22.5 (.88)	28.5 (1.12)	Shallow offset cam, reversed